

Linear Motor Table

LT Series

**Absolute
Linear Encoder
Specifications**

Structure

Absolute linear encoder head

C-Lube linear way

Moving coil

Stator magnet

Absolute linear encoder scale

Absolute linear encoder specifications maintain the compact size unique to the LT series and can be used as a replacement for the standard incremental linear encoder type as well.

Features of Absolute Linear Encoder Specifications

NO HOMING



Return to origin/magnetic pole position detection operation not required

Because absolute position information is read from the linear scale, origin detection operation and magnetic pole position detection upon restarting are not required.

HIGH RESOLUTION AND HIGH SPEED



High resolution and high-speed travel

Because high-speed serial communication is used for position measurement in response to specific requirements, high-speed travel at high resolution is possible.

NOISE REDUCTION



Improved noise reduction

Because position information is acquired as digital data through serial communication, noise is greatly reduced compared to that of incremental linear encoders.

Manufacturing Supported Model Numbers/Compatible Drivers

Linear Motor Table LT absolute linear encoder specifications are individually ordered products. Please contact IKO for more information. The model numbers and compatible supported drivers are listed below.

Applicable model numbers*	LT100CEG	LT130LDG	LT150CEG
	LT150CET	LT170LDG	LT170LDT

*For details on the Linear Motor Table LT itself, see the Mechatronics Series General Catalog.

Linear encoder type	RSF Elektronik linear encoder model	Compatible driver	Resolution [μm]
NEW Absolute linear encoder	AK MC15M	Mitsubishi Electric Corporation J4 Series	0.05
	AK MC15Y	Yaskawa Electric Corporation Σ-7 Series	0.05
	AK MC15P	Panasonic Corporation A6L Series	0.05

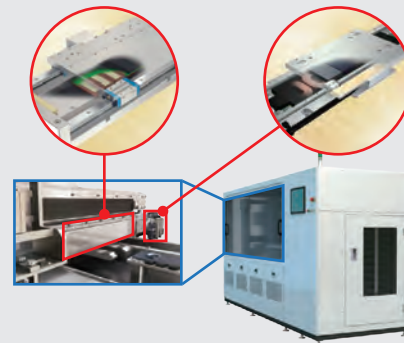


Use Example for of Linear Motor Table LT

Handlers

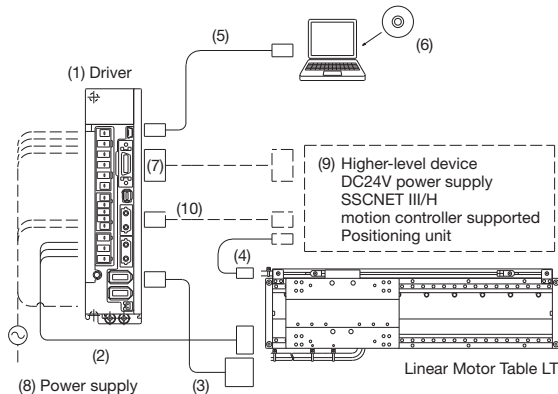
A device used to perform operation tests (performance evaluation and quality assurance) on semiconductor devices. Since the conveyor constantly operates at high speed and requires high positioning repeatability, the IKO Linear Motor Table LT is used because it provides high speed and high accuracy.

Linear Motor Table LT Nano Linear NT...V



System Configuration Example

▼ Below is an example of the system configuration when combined with Mitsubishi Electric Corporation MR-J4 series driver.



Name	Identification number	Remarks
(1) LT driver	MR-J4-10B special product	Dedicated driver for LT
(2) Motor extension cord	TAE20V7-AM□□	Cord length: 3-10m
(3) Encoder extension cord	TAE20X1-EC□□	Cord length: 3-10m
(4) Sensor extension cord	TAE10V8-LC□□	Cord length: 3-10m
(5) PC connection cord (3m)	MR-J3USBCBL3M	This must be prepared by customer
(6) Setup software	SW1DNC-MRC2-J	MR Configurator 2 • Medium is a CD (for Windows) Available with the model number at left.
(7) Connectors for input/output connection	MR-CCN1 (in combination with the connector and cover at right)	3M Japan Limited 10120-3000PE (Connector) 10320-52F0-008 (Cover)
(8) Power cord		This must be prepared by customer
(9) Higher-level device		This must be prepared by customer
(10) Connection cable for SSCNET III/H		This must be prepared by customer

Remarks The lengths of motor extension cord, encoder extension cord, and sensor extension cord are specified in the □□ located at the end of the model number for lengths of 3 - 10m in units of 1m.
The cord length is specified in two digits even when the length is less than 10m. (For 3m: TAE20V7-AM03)

The encoder extension cord and other components differ depending on the driver used.

For the system configurations in combination with the Yaskawa Electric Corporation Σ-7 Series or Panasonic Corporation A6L Series drivers, please contact IKO.

- NIPPON THOMPSON CO., LTD.
Tokyo (Japan) :Tel. +81 (0)3-3448-5850
- IKO INTERNATIONAL, INC. (U.S.A.)
New Jersey :Tel. +1 973-402-0254
Illinois :Tel. +1 630-766-6464
California :Tel. +1 562-941-1019
Santa Clara (Silicon Valley) :Tel. +1 408-492-0240
Georgia :Tel. +1 770-418-1904
Texas :Tel. +1 972-929-0444
- IKO BRASIL SERVIÇOS EMPRESARIAIS LTDA. (BRAZIL)
Sao Paulo :Tel. +55-(11) 2366-3033

- NIPPON THOMPSON EUROPE B.V. (EUROPE)
The Netherlands :Tel. +31 (0)10-462 68 68
Germany :Tel. +49 (0)211-41 40 61
Düsseldorf :Tel. +49 (0)941-20 60 70
Regensburg :Tel. +44 (0)1908-566144
United Kingdom :Tel. +34 949-26 33 90
Spain :Tel. +33 (0)1-48 16 57 39
France
- IKO-THOMPSON (SHANGHAI) LTD. (CHINA)
Shanghai :Tel. +86 (0)21-3250-5525
Beijing :Tel. +86 (0)10-6515-7681

- Guangzhou :Tel. +86 (0)20-8384-0797
Wuhan :Tel. +86 (0)27-8556-1610
Shenzhen :Tel. +86 (0)775-2265-0553
Xian :Tel. +86 (0)29-8323-5915
Qingdao :Tel. +86 (0)532-8670-2246
Ningbo :Tel. +86 (0)574-8718-9535
Shenyang :Tel. +86 (0)24-2334-2662
- IKO THOMPSON ASIA CO., LTD. (THAILAND)
Bangkok (Thai) :Tel. +66 (0)2-637-5115
- IKO THOMPSON KOREA CO., LTD. (KOREA)
Seoul :Tel. +82 (0)2-6337-5851



• The specifications and dimensions of products in this catalog are subject to change without prior notice. • When these products are exported, the exporter should confirm a forwarding country and a use, and, in case of falling under the customer's requirements, take necessary procedures such as export permission application. • Although all data in this catalog has been carefully compiled to make the information as complete as possible, NIPPON THOMPSON CO., LTD. shall not be liable for any damages whatsoever, direct or indirect, based upon any information in this catalog. NIPPON THOMPSON CO., LTD. makes no warranty, either express or implied, including the implied warranty of merchantability or fitness for a particular purpose. • Reproduction and conversion without permission are prohibited.